

VRP - Vacuum Switch Pirani

Absolute Pressure 20 to 0.001 mbar



VRP features at a glance

- Dry relay switch point (switch-over relay)
- High reliability
- Excellent reproducibility
- Economical Pirani measuring principle
- Robust Pirani filament with extra long life time
- After detaching of the top, the switch point is exactly adjustable over the whole range by means of a potentiometer
- Vacuum compatible connection
- Robust metal housing with IP54 protection class

Typical Applications

- Process automation
- Appliance engineering
- Controlling of vacuum appliances
- Operational control of vacuum pumps and plants
- Pump switching
- Pressure control in fine the vacuum range

VRP - Vacuum Switch Pirani

Absolute Pressure 20 to 1×10^{-3} mbar

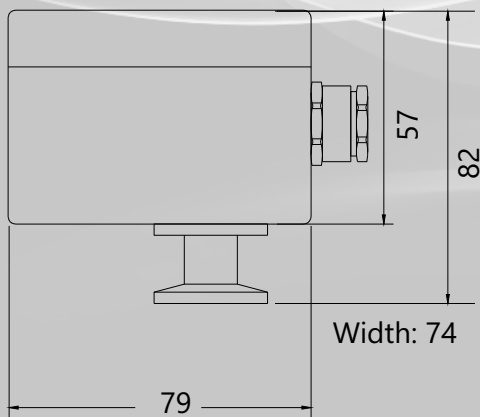
Technical Data

Measuring Principle	Pirani, depending on gas type
Materials with Vac. Contact	Stainless steel 1.4307, tungsten, nickel, glass
Measurement Range	20 - $1e-3$ mbar (15 - $1e-3$ Torr), max. overpressure 4 bar absolute
Accuracy	20 - $1e-2$ mbar: Approx. 10% from reading
Resolution	200 ms
Power Supply	18 - 30 VDC
Electrical Connection	Phoenix screw terminals
Power Consumption	Without relay: 80 mA, with relay 100 mA
Operating Temperature	0...+40°C
Storage Temperature	-10...+60°C
Recorder Output	0 - 1 V or 0 - 10 V; 5 mA
Switch Point	Alternating relay contact 230 V, 5 A, hysteresis depending on pressure range (e. g. 6% at 1 mbar, 34% at 0,01 mbar)
Vacuum Connection	Stainless steel small flange DN 16 ISO-KF
Protection Class	IP54
Weight	Approx. 450 g

VRP - Vacuum Switch Pirani

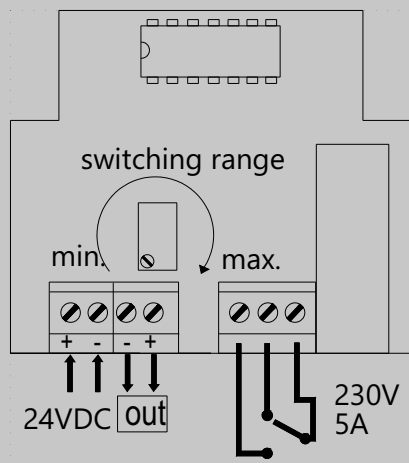
Absolute Pressure 20 to 1×10^{-3} mbar

Dimensions in mm



Model designations

- VRP DN 16 ISO-KF, stainless steel



VRP - Vacuum Switch Pirani

Absolute Pressure 20 to 1×10^{-3} mbar



Thyracont Vacuum Instruments GmbH

Max-Emanuel-Straße 10

94036 Passau, Germany

Phone: +49 (0)851 95986 0

Email: info@thyracont-vacuum.com

Alterations reserved, version 20171215