

VD85 - Compact Vacuum Meter Piezo / Pirani, Data Logger

Absolute Pressure 1200 to 5×10^{-4} mbar



VD85 at a glance

- Wide measuring range due to combined piezo/Pirani sensor
- High precision and optimal resolution over the whole range
- Pirani sensor with durable, elastic helix filament
- Stable measuring values due to optimized temperature compensation
- Vacuum connection by small flange DN16 ISO-KF
- Excellent long term stability
- Integrated metal facing protects the sensor against contamination like oil vapours or solvent vapours
- Gas type correction factors for correct pressure readings
- Integrated data logger for up to 2000 measurement values
- Pressure units mbar, Torr, hPa
- USB interface for easy push button data transfer to PCs, but no PC connection is necessary during measurements

VD85 - Compact Vacuum Meter Piezo / Pirani, Data Logger

Absolute Pressure 1200 to 5×10^{-4} mbar



Technical Data

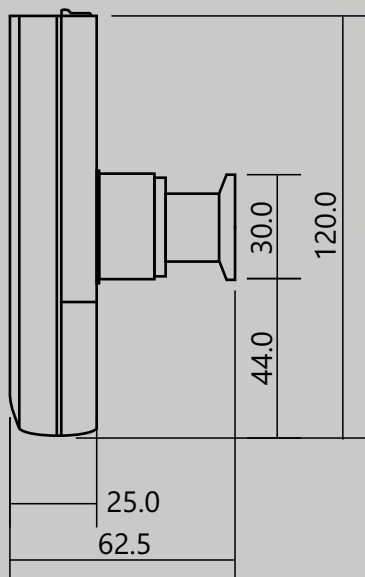
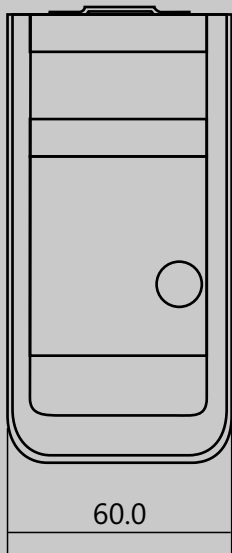
Measurement Principle	Piezoresistive / heat conduction Pirani, (Pirani depending on gas type)
Measurement Range	1200 - $5e-4$ mbar (900 - $5e-4$ Torr)
Max. Overload	2 bar absolute
Accuracy	1200 - 40 mbar: 0.3% f.s. (f. scale end) 40 - $2e-3$ mbar: 10% f.r. (f. reading)
Resolution	1200 - 1000 mbar: 1 mbar, 1000 - 1 mbar: 0.1 mbar, < < 1 mbar: 2 digits mantissa, 1 decimal place
Measurement Rate	1.0 s
Logging Rate	1 ... 6000 s
Materials With Vac. Contact	Stainless steel 1.4307, gold, nickel, tungsten, glass, FKM
Operating Temperature	+5...+50 °C
Storage Temperature	-20...+60 °C
Power Supply	9 V battery or 12...15 VDC external
Power Consumption	Approx. 110 mW (clocked)
Operating Time	Li-battery: <100h, 6LR61 Alkaline: <40h
Serial Interface	Mini-USB, Type B, 5pin, female, Virtual Com Port protocol
Electrical Connection	Mini-jack 2.5 mm for plug-in power supply
Vacuum Connection	Stainless steel small flange DN16 ISO KF
Display	LCD 12 mm
Protection Class	IP40
Weight	Approx. 230 g (battery included)

VD85 - Compact Vacuum Meter Piezo / Pirani, Data Logger

Absolute Pressure 1200 to 5×10^{-4} mbar



Dimensions in mm



Model designations

- VD85 Compact vacuum meter
DN 16 ISO-KF flange

Accessories

- VD8ZUB accessory set consisting of:
 - VD8CASE protective plastic case
 - VD8N4 power supply 15 V, incl. change-over plug, EURO, US, UK, AUS
 - VD8ALK alkaline battery 9 V (vacuum tested);
 - WUSB0002 interface cable, 2 m, USB;
 - VGR VacuGraph Windows® software

Further accessories as well as detailed information about our product family can be found in our VD8 brochure.