

## VSP52

## Vacuum Transducer Absolute Pressure 1000...100 to $1 \times 10^{-3}$ mbar

The VSP52 Pirani transducer is used for measuring absolute pressure in the fine vacuum range.

Its remarkable features include a minimized sensor volume ( $\leq 1$  cm<sup>3</sup>) and excellent repeatability.

Signal output:  
4 - 20 mA (three wire)



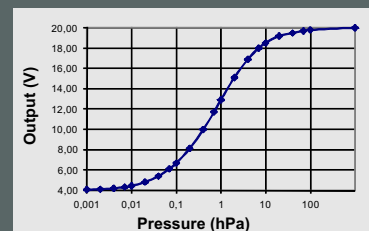
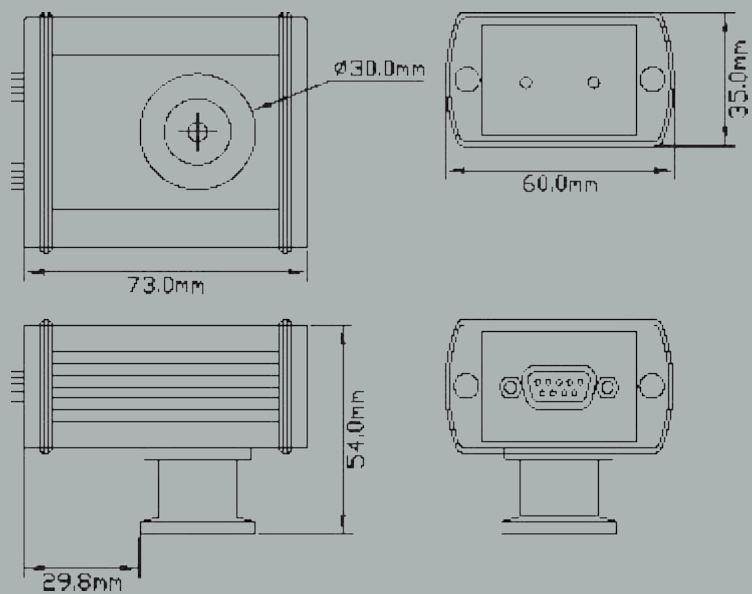
### Typical Applications

- Analysis instruments
- Operation control at vacuum plants and pumps
- Vacuum drying
- Vacuum furnaces
- Freeze drying
- Appliance engineering
- Process engineering

### Benefits

- High reliability
- Economical Pirani measuring principle
- Excellent reproducibility
- Durable Pirani filament
- Suitable for UHV applications due to metal sealed sensor
- Quick reaction to pressure changes
- Temperature compensated
- Easy readjustment at atmospheric and zero pressure with trim pots
- Standardized output signal
- Designed for industrial applications
- Robust metal housing with protection class IP54
- Vacuum connection over a stainless steel small flange DN 16 ISO-KF





## Technical Data

Measuring Principle	Pirani, depending on gas type
Materials In Contact With Vacuum	Stainless steel 1.4307, nickel, tungsten, glass
Measurement Range	1000...100 - $1 \times 10^{-3}$ mbar (750...75 - $1 \times 10^{-3}$ Torr), max. overpressure 4 bar absolute
Accuracy	1000 - 100 mbar: tendency 100 - 10 mbar: < 30 % from reading 10 - $1 \times 10^{-2}$ mbar: approx. 10 % from reading < $1 \times 10^{-2}$ mbar: < factor 2
Repeatability	5%
Response Time	200 ms
Power Supply	8 - 16 VDC
Electrical Connection	SubD, 9-pole, female, lockable
Power Consumption	Approx. 50 mA
Operating Temperature	+10...+40°C
Storage Temperature	-20...+70°C
Max. Bake Out Temperature	80°C at the flange
Output Signal	4 - 20 mA (non linear, according characteristic) max. loop resistance 180 W / 8 VDC, 280 W / 15 VDC
Vacuum Connection	Stainless steel small flange DN 16 ISO-KF
Protection Class	IP54
Weight	Approx. 180 g

## Product Codes

- **VSP52MA4**  
Pirani transducer 1000...100 -  $1 \times 10^{-3}$  mbar with DN 16 ISO-KF connection; output 4 - 20 mA

## Accessories:

- **W090002**  
Measuring cable, shielded, 2 m (for VD6 / VD9)
- **W090006**  
Measuring cable, shielded, 6 m (for VD6 / VD9)